



Description

Towing and recovery winch for cars and commercial vehicles. This effective and durable model has a planetary gear design, disc brake system and reinforced aluminum cast body ready for challenging tasks. Different configurations are available upon request. Fully compliant with EN 14492. Additional equipment and accessories are available as well.



Specifications

Maximum Pulling Capacity	: 7000 kg / 15432 lbs
Maximum Rope Length	: 30 m / 98.4 ft
Recommended Wire Rope	: Ø14 mm / Ø9/16"
Hydraulic Motor	: 400 cc / 24.4 in <sup>3</sup>
Maximum Pump Flow Rate	: 60 l/min / 15.85 gal/min
Max Working Pressure	: 175 bar / 2538 psi
Weight	: 85 kg / 188 lbs

Additional Equipment

- Standard package:**
- Rope
  - Roller fairlead
  - Pressure roller
  - Manual freespool
  - Hydraulic inlet G 1/2"

- Optional:**
- Pneumatic freespool
  - Radio control system
  - ECU & IQAN equipment
  - M12 mounting bolts
  - Hydraulic control valve with manual lever

Line Pull and Line Speed Performance

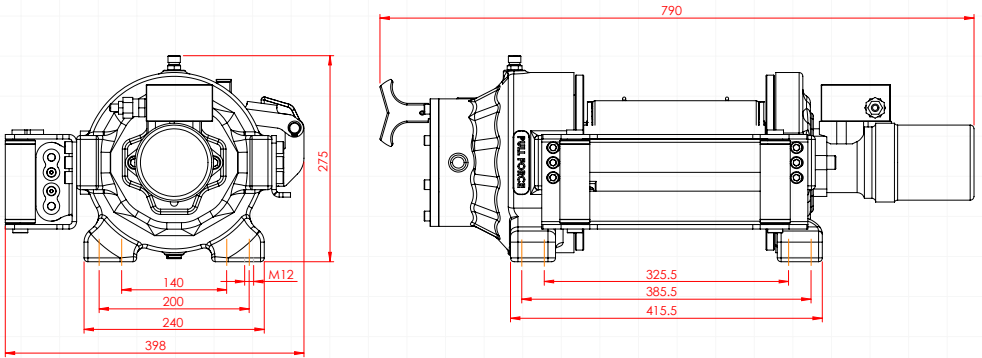
Winding layer	Pulling capacity (kg / lbs)	Rope speed (m/min - ft/min)	Rope length (m/ft)
1	7000 / 15432	10.4 / 34.1	5.8 / 18.9
2	6261 / 13805	13.1 / 42.8	13 / 42.6
3	5230 / 11531	15.7 / 51.5	21.7 / 71.2
4	4490 / 9900	18.4 / 60.3	31.9 / 104.7



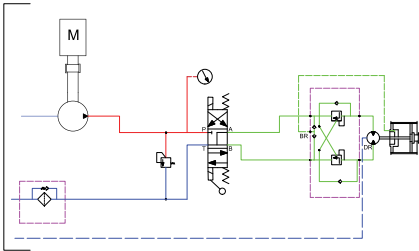
These winches should not be used for lifting and there should be at least 5 wraps of wire rope on the drum. The data shown are for maximum pressure and maximum flow and should be used as a reference only.

PULLFORCE reserves the right to change the specified data without prior notice.

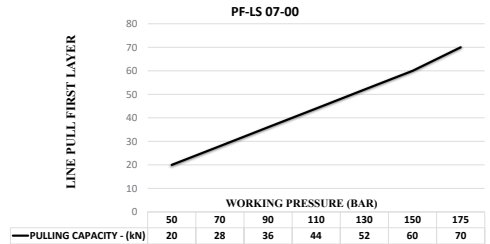
## Dimensions



## Hydraulic Circuit



## Hydraulic Performance



## Features

- Gear reduction :** 5.2 : 1
- Gear type :** Single stage planetary
- Winch construction :** Aluminum cast body reinforced with heat-treatment
- Braking :** Negative hydraulic disc brake system
- Drum rotation :** Clockwise, or counter clockwise rotation as required
- Roller guides :** Commercial type with large diameter rollers and grease ways
- Free spooling :** Standard manual lever freespool. Optional pneumatic freespool
- Control valve :** The direction control valves to be used must be A, B, and T. The A and B lines must be open to the T (Tank) line.

## Application Areas



Agricultural and Forestry Vehicles



Disaster Relief vehicles



Tow Trucks



Military Vehicles



Offroad Vehicles



Each new winch is guaranteed against defects in workmanship and material defects for a period of 24 months from date of purchase. Wire ropes are not included under warranty.