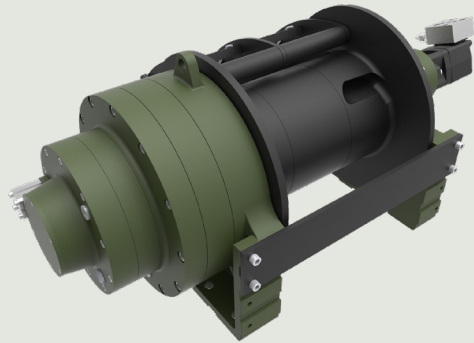


Description

Towing and recovery winch for commercial and service vehicles. This model has a rigid planetary gear, disc brake system and ductile iron body ready for challenging tasks. Different configurations are available upon request. Fully compliant with **EN 14492**. Additional equipment and accessories are available as well.



Specifications

Maximum Pulling Capacity	: 40000 kg / 88148 lbs
Maximum Rope Length	: 62 m / 203 ft
Recommended Wire Rope	: Ø28 mm / Ø10/9"
Hydraulic Motor (High Torque)	: 315 cc / 19.2 in ³
Maximum Pump Flow Rate	: 75 l/min / 19.81 gal/min
Max Working Pressure	: 200 bar / 2900 psi
Weight	: 540 kg / 1190 lbs

Additional Equipment

Standard package:

- Rope
- Roller fairlead
- Pressure roller
- Pneumatic freespool
- Hydraulic inlet G 1/2"

Optional:

- Radio control system
- ECU & IQAN equipment
- Double speed working mode
- Automatic roller fairlead
- M20 mounting bolts
- Hydraulic control valve with manual lever

Line Pull and Line Speed Performance

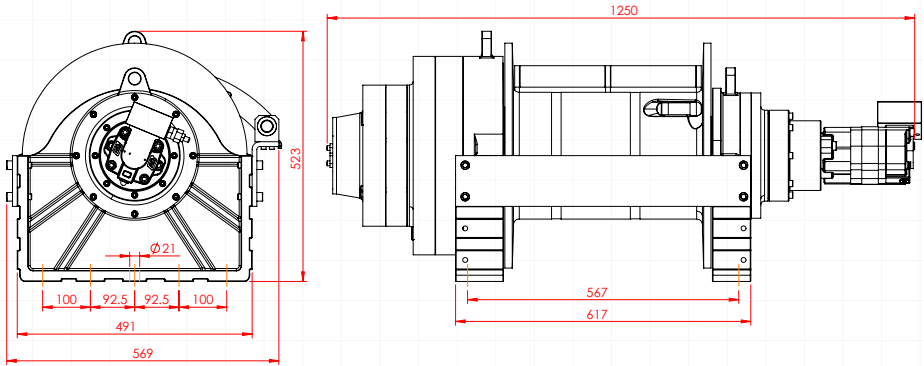
Winding layer	Pulling capacity (kg / lbs)	Rope speed (m/min - ft/min)	Rope length (m/ft)
1	40000 / 88185	2.1 / 6.9	12 / 39.4
2	33341 / 73504	2.5 / 8.3	26.4 / 86.7
3	28583 / 63014	2.9 / 9.7	43.2 / 141.9
4	25013 / 55144	3.4 / 11.1	62.5 / 204.9



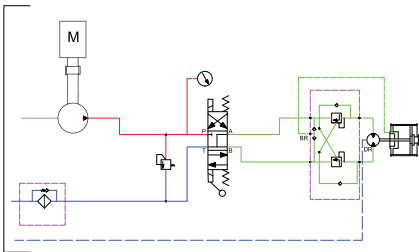
These winches should not be used for lifting and there should be at least 5 wraps of wire rope on the drum. The data shown are for maximum pressure and maximum flow and should be used as a reference only.

PULLFORCE reserves the right to change the specified data without prior notice.

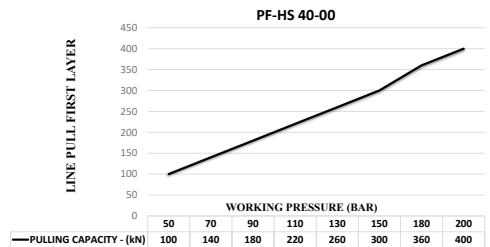
Dimensions



Hydraulic Circuit



Hydraulic Performance



Features

- Gear reduction : 104.33:1
- Gear type : Three stage planetary
- Winch construction : Ductile iron body reinforced with heat-treatment
- Braking : Negative hydraulic disc brake system
- Drum rotation : Clockwise, or counter clockwise rotation as required
- Roller guides : Commercial type with large diameter rollers and grease ways
- Free spooling : Standard pneumatic freespool
- Control valve : The direction control valves to be used must be A, B, and T. The A and B lines must be open to the T (Tank) line.

Application Areas



Heavy-Duty
Tow Trucks



Low-Bed
Semi-Trailers



Towing and
Recovery Vehicles



Trailers



Offroad Trucks



Each new winch is guaranteed against defects in workmanship and material defects for a period of 24 months from date of purchase. Wire ropes are not included under warranty.