



Description

Towing and recovery winch for commercial and service vehicles. This model has a rigid planetary gear, disc brake system and ductile iron body ready for challenging tasks. Different configurations are available upon request. Fully compliant with **EN 14492**. Additional equipment and accessories are available as well.



Specifications

- Maximum Pulling Capacity : 35000 kg / 66138 lbs
- Maximum Rope Length : 61 m / 200.1 ft
- Recommended Wire Rope : Ø26 mm / Ø1 1/32"
- Hydraulic Motor (High Torque) : 130 cc x2 / 7.93 in³ x2
- Maximum Pump Flow Rate : 75 l/min / 19.81 gal/min
- Max Working Pressure : 200 bar / 2900 psi
- Weight : 465 kg / 1025 lbs

Additional Equipment

Standard package:

- Rope
- Roller fairlead
- Pressure roller
- Pneumatic freespool
- Hydraulic inlet G 1/2"

Optional:

- Radio control system
- ECU & IQAN equipment
- M20 mounting bolts
- Hydraulic control valve with manual lever

Line Pull and Line Speed Performance

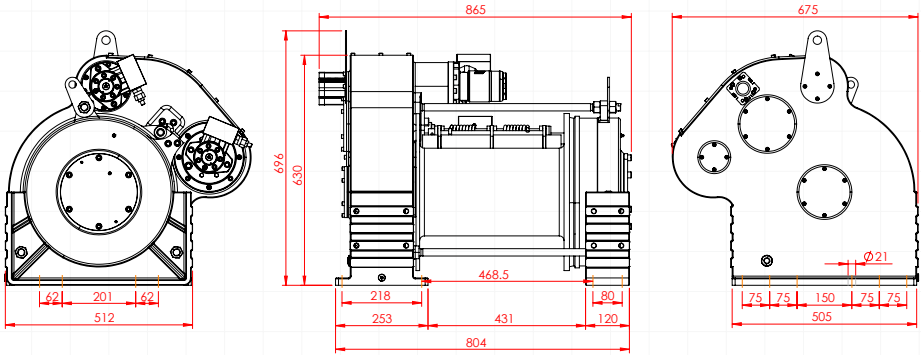
Winding layer	Pulling capacity (kg / lbs)	Rope speed (m/min - ft/min)	Rope length (m/ft)
1	35000 / 77162	3.37 / 11.05	11.7 / 38.5
2	29063 / 64074	4.06 / 13.31	26.0 / 85.0
3	24849 / 54782	4.74 / 15.57	42.5 / 139.3
4	21701 / 47844	5.43 / 17.82	61.4 / 201.4



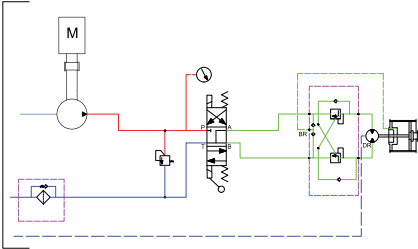
These winches should not be used for lifting and there should be at least 5 wraps of wire rope on the drum. The data shown are for maximum pressure and maximum flow and should be used as a reference only.

PULLFORCE reserves the right to change the specified data without prior notice.

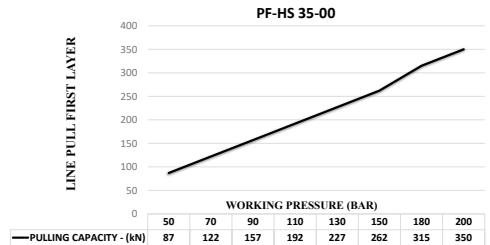
Dimensions



Hydraulic Circuit



Hydraulic Performance



Features

- Gear reduction :** 71.88:1
- Gear type :** Single stage planetary with specially designed gear system
- Winch construction :** Ductile iron body reinforced with heat-treatment
- Braking :** Negative hydraulic disc brake system
- Drum rotation :** Clockwise, or counter clockwise rotation as required
- Roller guides :** Commercial type with large diameter rollers and grease ways
- Free spooling :** Standard pneumatic freespool
- Control valve :** The direction control valves to be used must be A, B, and T. The A and B lines must be open to the T (Tank) line.

Application Areas



Heavy-Duty
Tow Trucks



Low-Bed
Semi-Trailers



Towing and
Recovery Vehicles



Trailers



Offroad Trucks



Each new winch is guaranteed against defects in workmanship and material defects for a period of 24 months from date of purchase. Wire ropes are not included under warranty.