

Description

Towing and recovery winch for commercial and service vehicles. This model has a rigid planetary gear, disc brake system and ductile iron body ready for challenging tasks. Different configurations are available upon request. Fully compliant with **EN 14492**. Additional equipment and accessories are available as well.



Specifications

Maximum Pulling Capacity : 30000 kg / 66138 lbs

Maximum Rope Length : 64 m / 209.9 ft

Recommended Wire Rope : Ø24 mm / Ø15/16"

Hydraulic Motor : 160 cc x2 / 9.76 in³ x2

Maximum Pump Flow Rate : 60 l/min / 15.85 gal/min

Max Working Pressure : 200 bar / 2900 psi

Weight : 465 kg / 1025 lbs

Additional Equipment

Standard package:

- Rope
- Roller fairlead
- Pressure roller
- Pneumatic freespool
- Hydraulic inlet G 1/2"

Optional:

- Radio control system
- ECU & IQAN equipment
- Double speed working mode
- Automatic roller fairlead
- M20 mounting bolts
- Hydraulic control valve with manual lever

Line Pull and Line Speed Performance

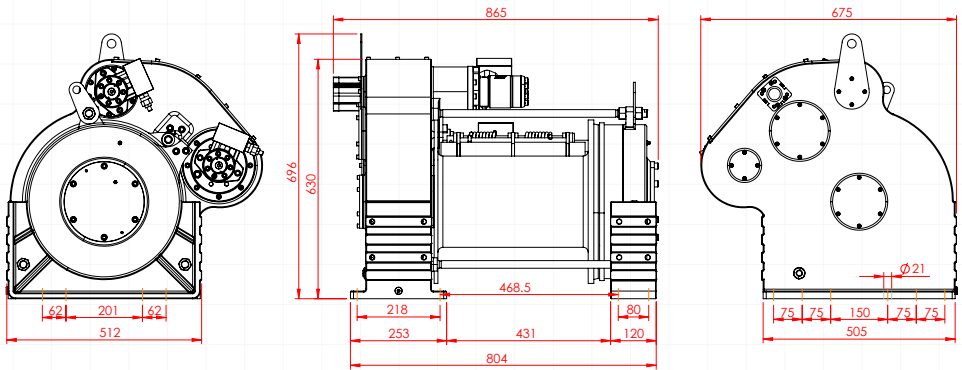
Winding layer	Pulling capacity (kg / lbs)	Rope speed (m/min - ft/min)	Rope length (m/ft)
1	30000 / 66139	2.7 / 8.9	12.5 / 41
2	25209 / 55577	3.2 / 10.6	27.4 / 89.7
3	21738 / 47923	3.7 / 12.3	44.6 / 146.3
4	19107 / 42123	4.3 / 14	64 / 210.6



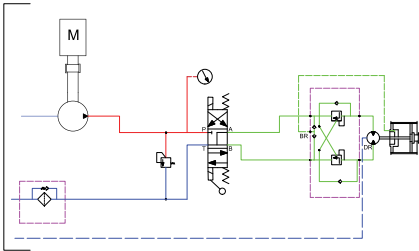
These winches should not be used for lifting and there should be at least 5 wraps of wire rope on the drum. The data shown are for maximum pressure and maximum flow and should be used as a reference only.

PULLFORCE reserves the right to change the specified data without prior notice.

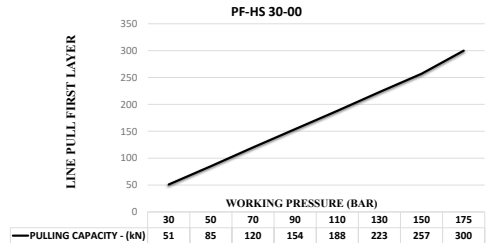
Dimensions



Hydraulic Circuit



Hydraulic Performance



Features

- Gear reduction :** 71.88:1
- Gear type :** Single stage planetary with specially designed gear system
- Winch construction :** Ductile iron body reinforced with heat-treatment
- Braking :** Negative hydraulic disc brake system
- Drum rotation :** Clockwise, or counter clockwise rotation as required
- Roller guides :** Commercial type with large diameter rollers and grease ways
- Free spooling :** Standard pneumatic freespool
- Control valve :** The direction control valves to be used must be A, B, and T. The A and B lines must be open to the T (Tank) line.

Application Areas



Heavy-Duty
Tow Trucks



Low-Bed
Semi-Trailers



Towing and
Recovery Vehicles



Trailers



Offroad Trucks



Each new winch is guaranteed against defects in workmanship and material defects for a period of 24 months from date of purchase. Wire ropes are not included under warranty.